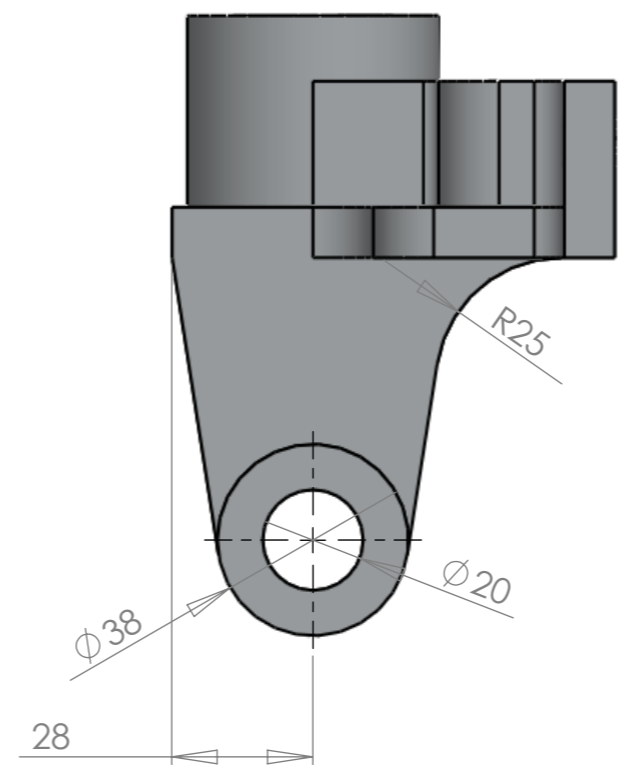


SECTION A-A



UNLESS OTHERWISE SPECIFIED: DIMENSIONS ARE IN MILLIMETERS SURFACE FINISH: TOLERANCES: LINEAR: ANGULAR:				FINISH:		DEBUR AND BREAK SHARP EDGES		DO NOT SCALE DRAWING		REVISION	
DRAWN				NAME		SIGNATURE		DATE		TITLE:	
CHK'D										Bevel Gear Support	
APPV'D											
MFG										DWG NO.	
Q.A								MATERIAL:		53 Bevel Gear Support A3	
								6061 Alloy		SCALE:1:1.5	
								WEIGHT: 666.75		SHEET 1 OF 1	